

'IS' range: Zone 0, 1, 2, 21 & 22 signals



IS-CP4A/B-BG

Zone 0, 1, 2, 21, 22 Break Glass Call Point

The IS-CP4A-BG and IS-CP4B-BG break glass manual call points are approved for Zones 0, 1, 2, 21 & 22 requiring intrinsically safe equipment for the control of fire and gas alarm systems. Available with and without monitoring resistors all versions are certified to ATEX and IECEx standards.

The IS-CP4 range features enclosures manufactured from corrosion proof, marine grade, copper free LM6 (A413) aluminium which is phosphated and powder coated.



Specification:

IS-CP4A-BG:	II 1G Ex ia IIC T6 Ga II 2D Ex t IIIC T60°C Db IP66
IS-CP4B-BG:	II 1G Ex ia IIC T4 Ga II 2D Ex t IIIC T70°C Db IP66
Ambient:	Ta = -40°C to +55°C
Ingress protection:	IP66
Housing material:	Marine grade copper free LM6 Aluminium
Housing finish:	Phosphated & powder coated finish: anti-corrosion.
Colour:	RAL3000 Red (others available on request)
Cable entries:	2 x M20 clearance top and 1 x M20 clearance side. Back box can be rotated to give 2 x bottom and 1 x side entries.
Stopping plugs:	2 x nylon plugs as standard Brass and stainless steel plugs optional
Terminals:	6 x 4.0mm ² cables.

Options:

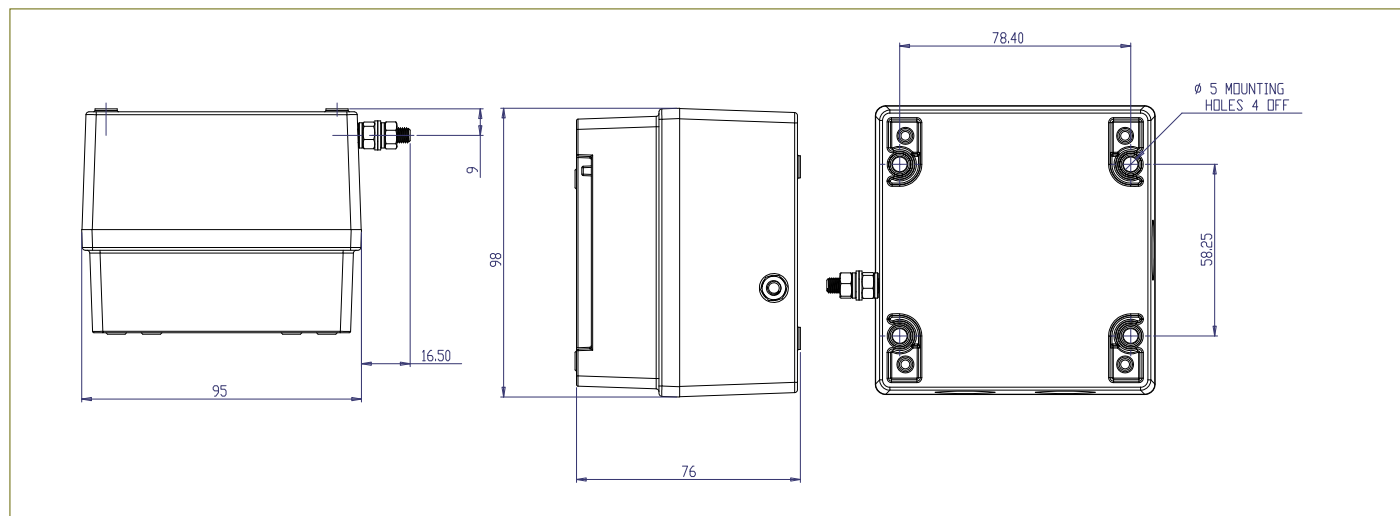
- Alternative housing colours are available to meet specific requirements.
- DIN rail mounted terminal blocks: 8 x 2.5mm²
- Stainless Steel lift flap
- Metalised Polyester "Duty" label.
- Series and/or End of Line resistors.

Approvals:

- ATEX certificate: Sira 09ATEX2287X
IEC 60079-0:2007 Ed 5
EN 60079-11:2007
EN 60079-26:2007
EN 61241-1:2004
- IECEx certificate: IECEx SIR 09.0122X
IEC 60079-0:2007-10 Edition: 5
IEC 60079-11:2006 Edition: 5
IEC 60079-26:2006 Edition: 2
IEC 61241-1:2004 Edition: 1

'IS' range: Zone 0, 1, 2, 21 & 22 signals

IS-CP4A/B-BG



All dimensions in mm

Versions:

Version:	Category:	Input Parameters:	Monitoring Resistors:	Terminals:	Cable entries:	Weight:
IS-CP4A-BG	II 1G Ex ia IIC T6 Ga II 2D Ex t IIIC T60°C Db IP66 Ta = -40°C to +55°C	Ui = TBC li = TBC Pi = TBC Ci = 0 Li = 0	N	6 x 4mm ²	2 x M20 Top/Bottom 1 x M20 Left/Right	0.8Kg
IS-CP4B-BG	II 1G Ex ia IIC T4 Ga II 2D Ex t IIIC T70°C Db IP66 Ta = -40°C to +55°C	Ui = TBC li = TBC Pi = TBC Ci = 0 Li = 0	Y	6 x 4mm ² or 8 x 2.5mm ² DIN rail	2 x M20 Top/Bottom 1 x M20 Left/Right	0.8Kg

Part codes:

Type:	Terminals:	Lift Flap:	Duty Label:	Colour:	E.O.L Resistor:	Series Resistor:
IS-CP4A-BG IS-CP4B-BG	- ST DR	- LF NF	- NL DL	- RD	- ExxxR	- SxxxR

ST: Standard
DR: DIN rail
Only available
on IS-CP4B
version

LF: Lift Flap
NF: No Flap
(Standard)

NL: No label (std)
DL: Duty Label
Specify content
when ordering.

RD: Red (std)
Contact sales
for other
colour options

xxx: Res. value
e.g.: E470R
Only available on
IS-CP4B version

xxx: Res. value
e.g.: S2K2R
Only available on
IS-CP4B version

e.g. IS-CP4A-BG-ST-LF-NL-RD
e.g. IS-CP4B-BG-DR-NF-NL-RD-24V-E470R

: IS-CP4A Break glass call point with standard terminals, lift flap and no duty label. Red housing
: IS-CP4B Break glass call point with DIN rail terminals, no lift flap, no duty label, 24V supply voltage with a 470 Ohm end of line resistor. Red housing.