

# EKATO FLUID

FLUID Misch- und Dispergiertechnik GmbH  
Im Entenbad 8, 79541 Lörrach, Germany  
Tel. +49 (0) 7621 5809-0, Fax +49 (0) 7621 5809-16  
e-mail: fluid@ekato.com

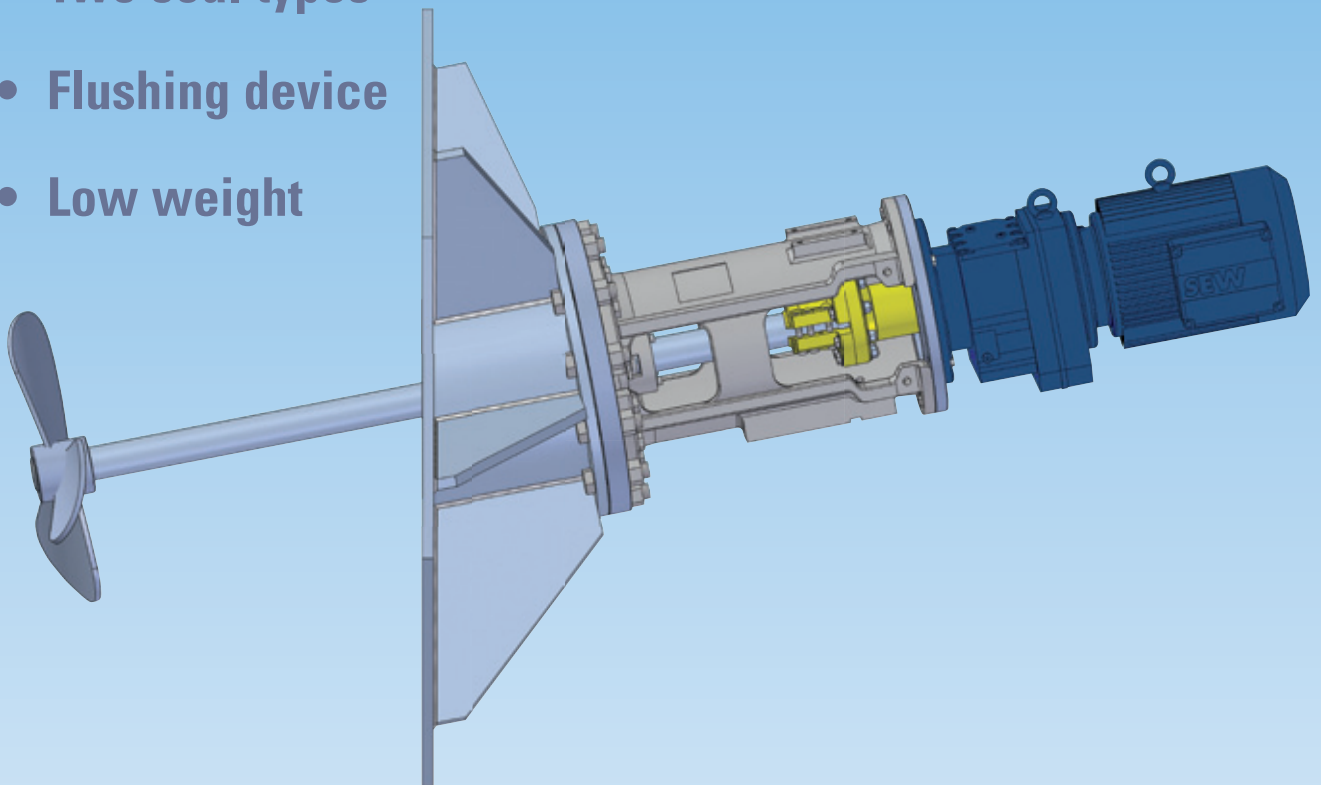
FLUID ES 2000

[www.ekato.com](http://www.ekato.com)

## SIDE ENTRY AGITATOR ES 2000



- Reduced investment costs
- Reliable technology
- Shut-off device
- Two seal types
- Flushing device
- Low weight



Advanced Process Solutions

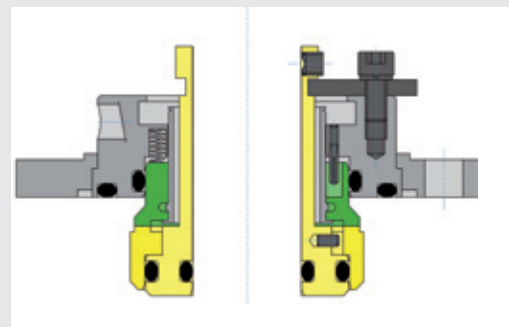
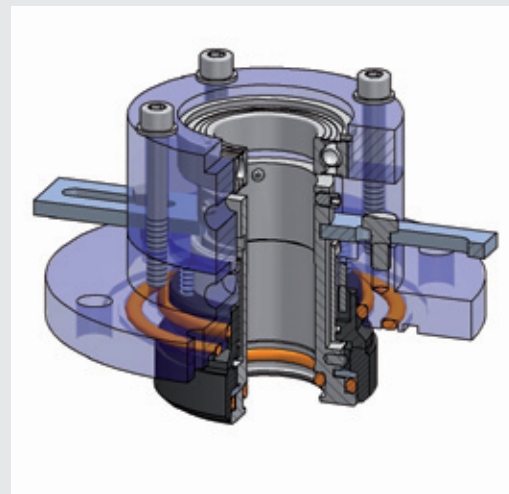
# The new ES 2000 Side-entry agitator

New FLUID agitator series / reliable seals / „shut-off“ device allows seal maintenance and removal even with full vessel / suitable for vessel volumes up to 100,000 cubic meters.

In contrast to top entry units, side entry agitators type ES 2000 are fixed to the vessel shell near the vessel bottom with an agitator shaft that is almost horizontal.



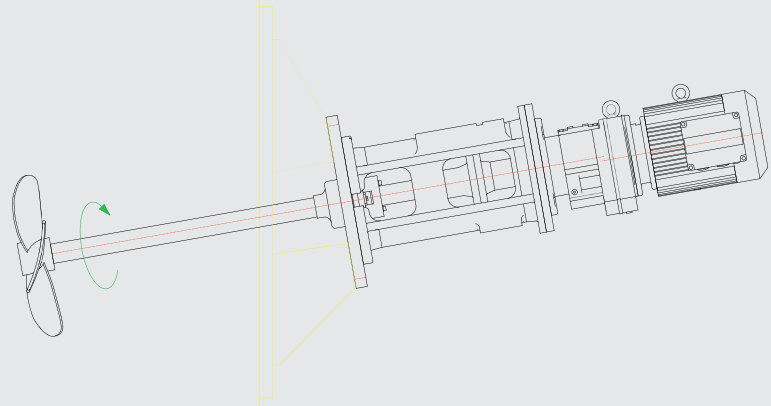
Advanced Process Solutions



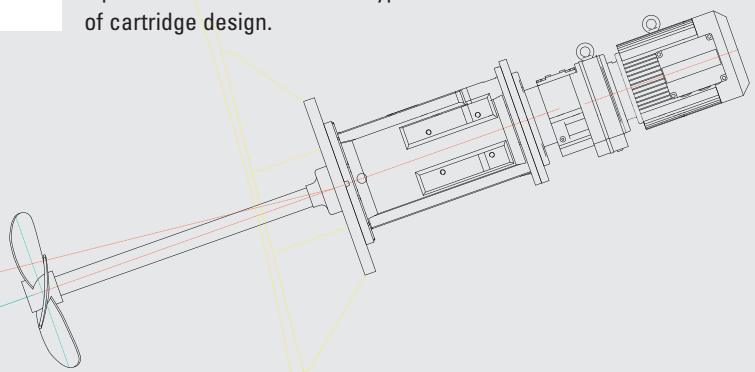
- Impeller diameter up to 1,300 mm
- Motor power up to 30 kW

Special attention should be given to the selection of a reliable mechanical seal. FLUID applies the existing know-how of the EKATO GROUP by using mechanical seals of EKATO ESD.

Single acting product lubricated mechanical seals, or optionally double acting mechanical seals with barrier liquid can be used. Both seal types are of cartridge design.



beta



## THE EKATO SERVICE

provides a broad range of services: „Service on site“, installation, start-up, trouble shooting and availability around the clock including instruction and training of the operation personel. EKATO also has the required expertise for plant optimization and preventive maintenance.