

## Application

The K-Tron Premier P30 is designed to convey powders and meets the rigid 3A Dairy sanitary requirements. With the choice of various discharge valve types (powered flap and active driven butterfly valves) the P30 can be used for conveying only applications such as hopper loading, as well as loss-in-weight feeder refill applications, where the receiver is not always emptied completely.

## Design

The P30 receiver is available in two outlet configurations: powered flap valve (FP) or butterfly valve (BV). The receiver body is made of stainless steel (DIN 1.4404, AISI 316L), with internal and external electropolished surface passivation. The modular and non hollow design allows for easy disassembly and cleaning as well as simple expansion with volume extensions. Tri-Clover quick release fittings ensure quick disconnection from conveying and vacuum piping. All units have reverse jet filter cleaning.

### Mechanical Features

- Sanitary design for easy cleaning
- Rugged modular design
- Steep cone angles ensure excellent discharge
- Large area reverse jet filter for efficient powder conveying

### Controls

For single receiver applications, we offer the LSR Controller. In loss-in-weight feeder refill applications, the LSR Controller can also be interfaced with K-Tron SmartConnex™ feeder controls.

For systems with multiple receivers, K-Tron Premier microprocessor controls or a variety of PLC control solutions are available, which can also be integrated into K-Tron feeder control systems.

### Hazardous Location Options:

- NEC Class I, Div. 2, Group C & D
- ATEX 2GD/1D (outside/inside)

*Note: the receiver is designed for handling bulk materials with a Minimum Ignition Energy (MIE) above 10 mJ.*

## Conveying Rates

P30-FP-150 flap valve versions Ø 150 mm [6 in]  
 up to 1000 kg/h [2200 lb/h]

P30-FP-300 flap valve versions Ø 300 mm [12 in]  
 up to 1800 kg/h [4000 lb/h]

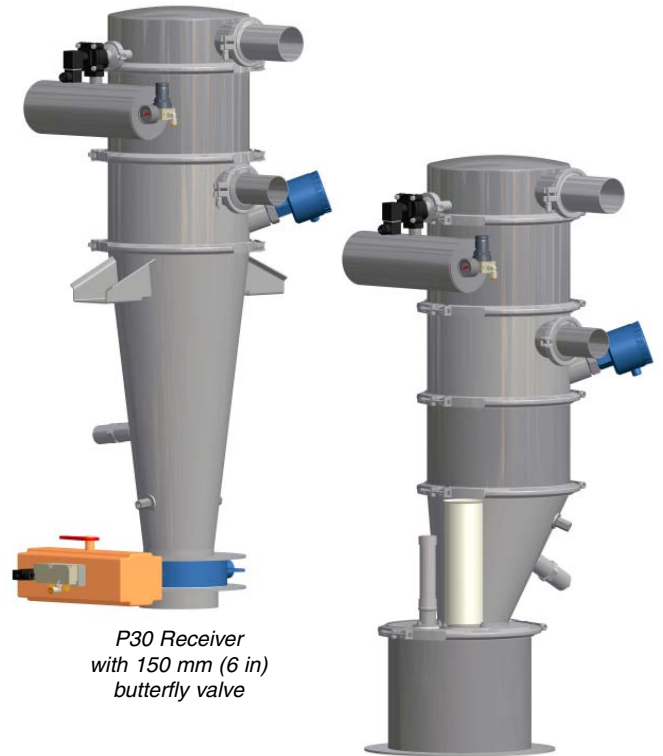
P30-BV-150 butterfly valve version Ø 150 mm [6 in]  
 up to 1000 kg/h [2200 lb/h]

Based on a distance of 15 m [50 ft] and bulk density of 0.5 kg/dm<sup>3</sup> [31 lb/ft<sup>3</sup>]. Rates vary with material characteristics, conveying distance and plant layout.

## Technical Data

### Standard Mechanical Specifications

- Stainless steel 316L [1.4404] for material contact parts
- Surface finish electropolished
- Welds continuous as laid
- Holding capacity: P30-FP-150 27.6 dm<sup>3</sup> [0.97 ft<sup>3</sup>]  
 P30-FP-300 27.6 dm<sup>3</sup> [0.97 ft<sup>3</sup>]  
 P30-BV-150 26.4 dm<sup>3</sup> [0.93 ft<sup>3</sup>]
- Stainless steel band clamps



*P30 Receiver  
 with 150 mm (6 in)  
 butterfly valve*

*P30 Receiver  
 with 150 mm (6 in)  
 powered flap valve*

- Sealing and gaskets, FDA listed food grade materials:  
 Clamp ring: silicone, translucent  
 Tri-clamp: white silicone, FDA approved  
 Flap valve: flap bonded silicone sheet, translucent  
 Butterfly valve rubber sleeve: EPDM, black
- Convey line connection; spigots with Tri-clamps, 38.1 mm [1.5 in], 50.8 mm [2 in], 63.5 mm [2.5 in]
- Vacuum line connection; spigots with Tri-clamps, 76.2 mm [3 in]
- P30-BV-150 Butterfly valve discharge, Ø 150 mm [6 in]
- P30-FP-300 Power flap discharge, Ø 300 mm [12 in]
- P30-FP-150 Power flap discharge, Ø 150 mm [6 in]
- Polyester pleated cartridge filters with stainless steel end caps  
 P30-FP-150 & P30-BV-150:  
 3 filters, total 0.75 m<sup>2</sup> [8.07 ft<sup>2</sup>]; length 200 mm [7.9"]  
 P30-FP-300:  
 3 filters, total 1.5 m<sup>2</sup> [16.15 ft<sup>2</sup>]; length 400 mm [15.7"]
- Automatic reverse jet filter  
 3 dm<sup>3</sup> [0.1 ft<sup>3</sup>] SS air reservoir; 4 bar max [60 psi]
- Material certificate EN 10204-2.1

### Standard Electrical Specifications

- Signal voltage 24 VDC

### Weights

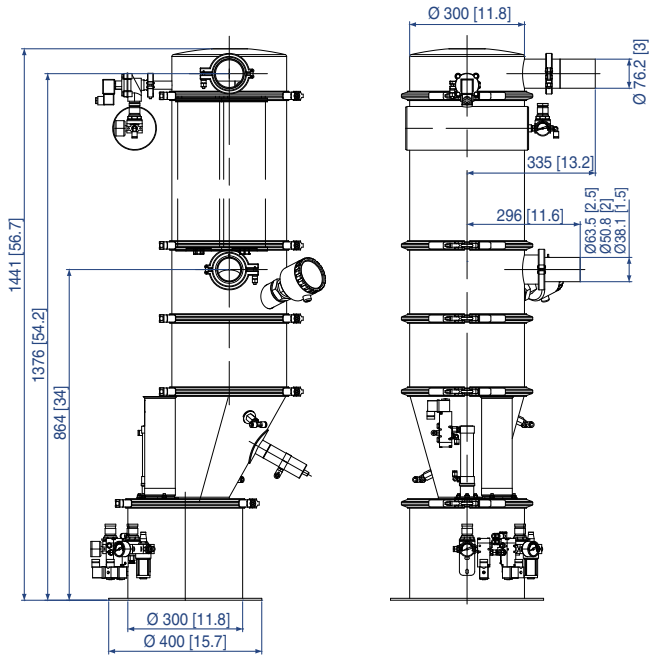
- P30-FP-150, without options: 32 kg [70 lb]
- P30-FP-300 & P30-BV-150, without options: 40 kg [88 lb]

### Operating Temperature

- -10° C to +50° C [14° F to 122° F]  
 for indoor use only - not suitable for outdoor use

**Dimensions** mm [in]

**P30 with 150 mm [6 in] flap valve**



**Options**

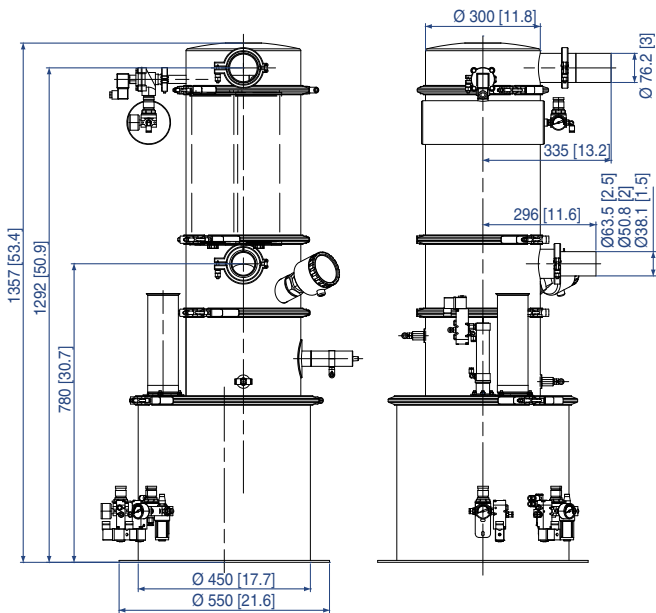
**Mechanical**

- 12.5 dm<sup>3</sup> [0.44 ft<sup>3</sup>] extension module
- Slide gate valves as alternative for butterfly type
- PTFE coated filter media
- Open pleated filter type for PTFE execution
- Filter basket with GORE-TEX® cloth
- EPDM white rubber sleeve for butterfly valve
- Vibrator as discharge aid
- Aeration pads as discharge aid
- P-Series sequence and vent valve, loose
- Stainless steel enclosure for solenoids and pressure regulators supplied loose
- Material certificates type EN10204- 2.2 and EN 10204-3.1

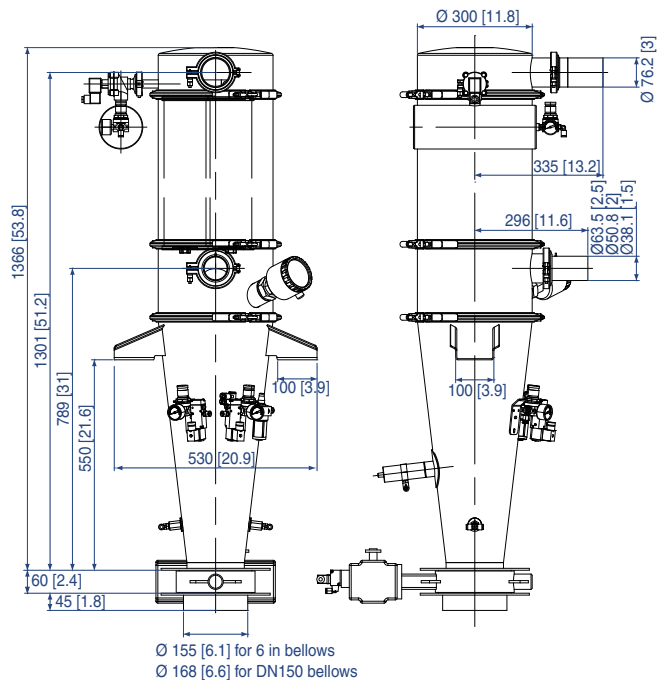
**Electrical**

- Level probes (capacitive or tuning fork type)
- Terminal box mounted, painted aluminum or stainless steel finish
- LSR Controller
- Central microprocessor or PLC controls

**P30 with 300 mm [12 in] flap valve**



**P30 with 150 mm [6 in] butterfly valve**



**Note:** For more information on these products consult your K-Tron / Premier Sales Representative.

**Caution:** Measurements are for general reference only. Please consult dimensional drawing for exact measurements.